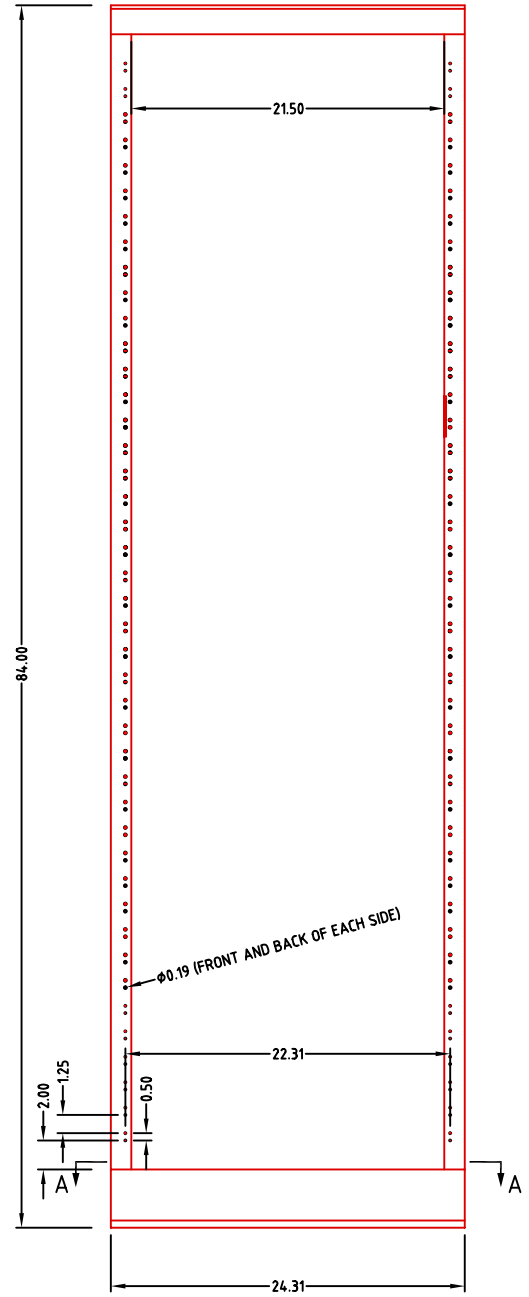
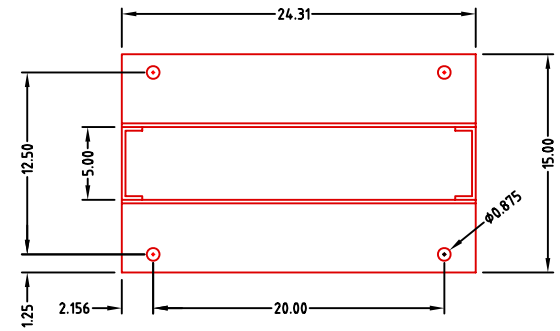


SIDE VIEW



FRONT VIEW



SECTION A - A

- NOTES:
- 1) WELDED STEEL CONSTRUCTION.
  - 2) FINISH: ASA 61 GRAY EPOXY POWDER COAT.

		<b>FLMM</b> ENERGY DIVISION	
SCALE	DRAWN BY	G.A.	APPROVED BY
TITLE		23" RELAY RACK ASSEMBLY, 84" HIGH	
DATE	REV	DESCRIPTION	REV
04/11/11	2	RELAY RACK UPDATED	
07/22/10	1	NOTES ADDED	
		DATE	08-20-02
		DRAWING NUMBER	23RR
			REV. 2